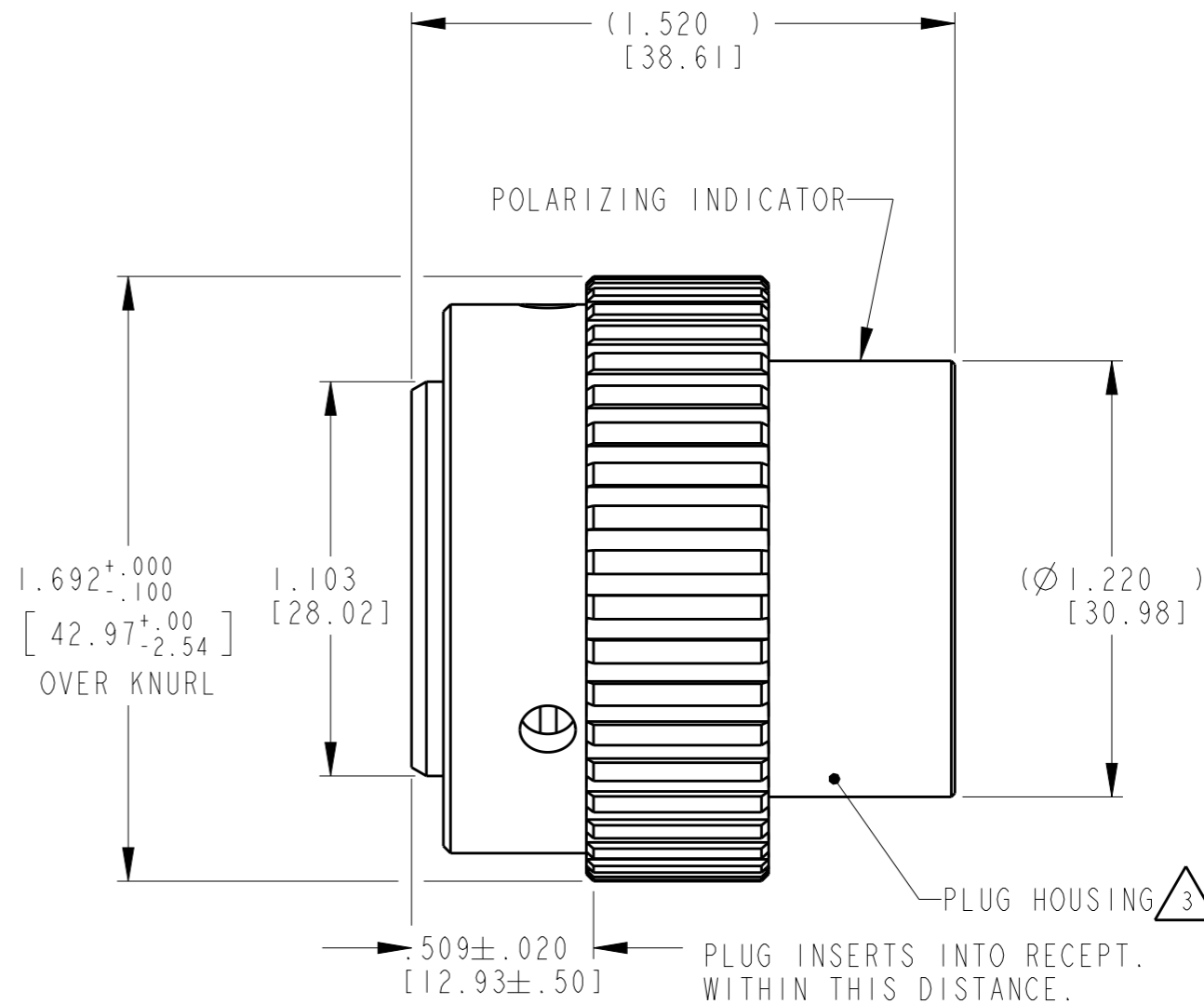
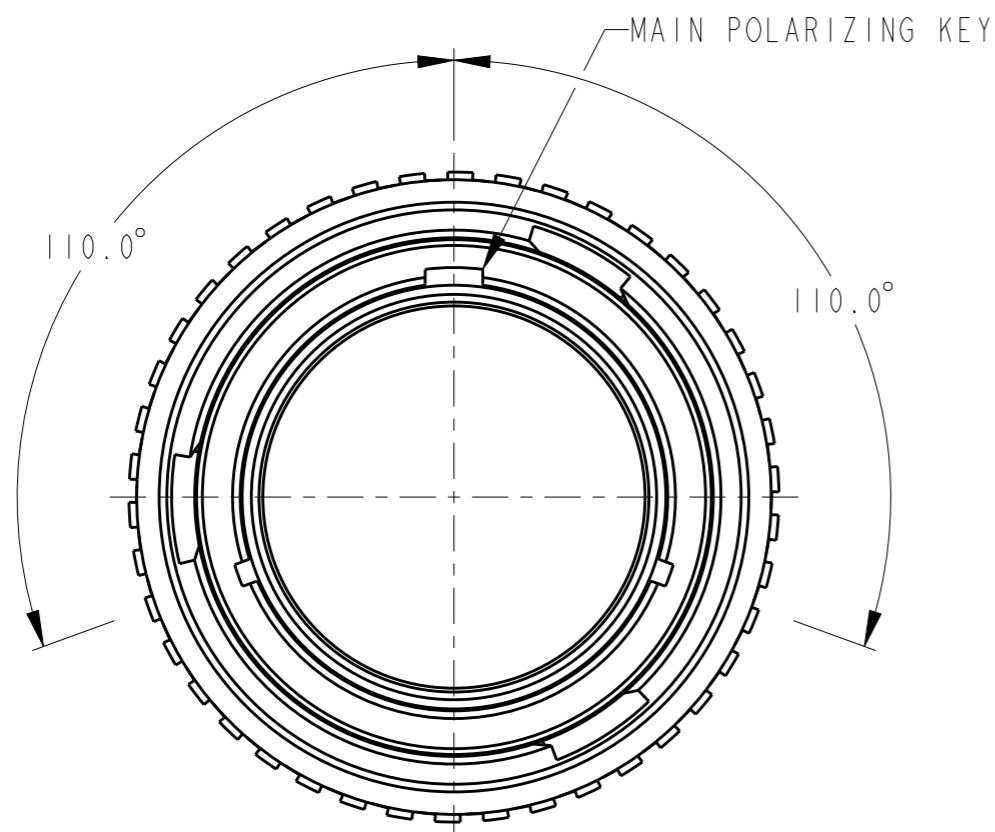


THIS DRAWING IS UNPUBLISHED
 RELEASED FOR PUBLICATION 2015
 © COPYRIGHT 2015 BY - TE CONNECTIVITY ALL RIGHTS RESERVED.

LOC	DIST	REVISIONS			
P	LTR	DESCRIPTION	DATE	DWN	APVD
-	-	NC	NEW RELEASE PER E.O. A14915	04DEC1995	- RDR
		A	REVISED PER ECO-15-001798	19MAR2015	VNB DM



3. MATERIAL:
 PLUG HOUSING: AL 6000 SERIES

2. FOR ARRANGEMENT OF CONTACT LOCATION SEE ENVELOPE DRAWING 0425-013-1800.

1. CONSULT THE FACTORY FOR ELECTRICAL AND MATERIAL SPECIFICATIONS.

NOTES:

THIS DRAWING IS A CONTROLLED DOCUMENT.		DWN V. TOMSA 09NOV1995		
DIMENSIONS: INCHES [mm]		CHK V. TOMSA 09NOV1995		
TOLERANCES UNLESS OTHERWISE SPECIFIED:		APVD R. REED 04DEC1995	NAME	
0 PLC ±-		PRODUCT SPEC	PLUG CONNECTOR SHELL SIZE 18. BAYONET COUPLING. HD30 SERIES	
1 PLC ±-		0425-016-0000	SIZE	A3
2 PLC ±-		APPLICATION SPEC	CAGE CODE	-
3 PLC ±.010 [±.254]		0425-015-0000	DRAWING NO	HD36-18-XXP/SX
4 PLC ±-		WEIGHT	RESTRICTED TO	-
ANGLES ±° 30' 0"		Customer Drawing	SCALE	NONE
FINISH -		SHEET 1 OF 1		REV A